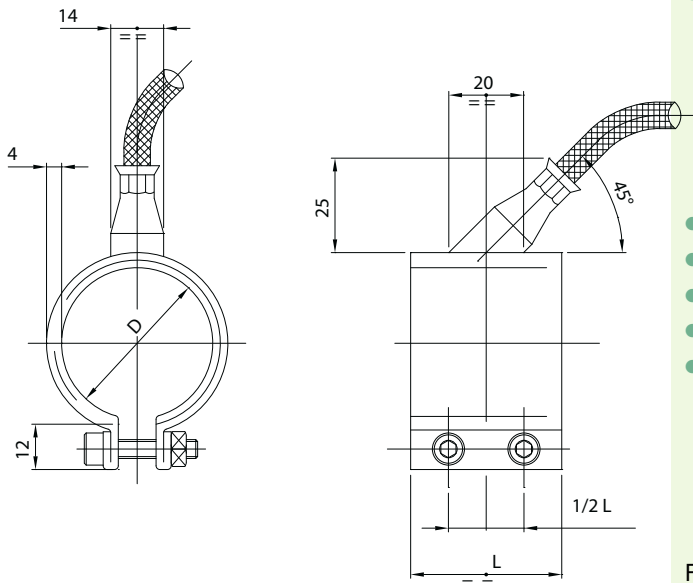


### Model Z.17 steel/plus



Standard with axial exit 45° (30° axial optional)  
Flexible bipolar cable + earth length 1000mm

#### Technical features

Z17 nozzle band heaters are the answer to the new market needs. They are born to meet the growing request for higher and higher wattages and working temperatures. They are totally protected from the plastic corrosive action and hermetically sealed to avoid any plastic seepage.

- Specific wattage up to 8 W/cm<sup>2</sup>
- Working temperature 380/400° C
- Available, upon request with built in thermocouple Fe/Co
- Max diameter ØD 110 mm, max width L 60 mm
- Feeding lead length over 1000 [mm], upon request
- Standard model with axial exit 45°
- Available upon request radial exit or tangential exit 5°/15°/30°/45° or axial exit 5°/15°/30° ( see page 12 )
- Standard feeding voltage 230V
- Different voltage and wattage upon request
- Available upon request, execution with hole and threaded connector / cap nut for thermocouple ( see pag. 12 )

#### Material

- Stainless steel tube
- Ni-Cr 80/20 wire
- Continuous mica insulations
- Flexible bipolar feeding lead + earth wire
- Teflon fiberglass insulated nickel conductors with metal braiding protection

#### Options:

- Pure Nichel or copper nichel conductors with silicon sleeve max working temperature 180°C

For further information please contact our technical dep..

We reserve the right to change technical details.

Please follow the installation and storage instruction (see page 19).

#### How to order

- Model Z.17
- Application: .....
- + article number (if known): .....
- + Ø: .....
- + Width: .....
- + Wattage: .....
- + Voltage: .....
- + Lead length: .....
- + Exit: .....
- + Quantity: .....

### Dimension available in stock

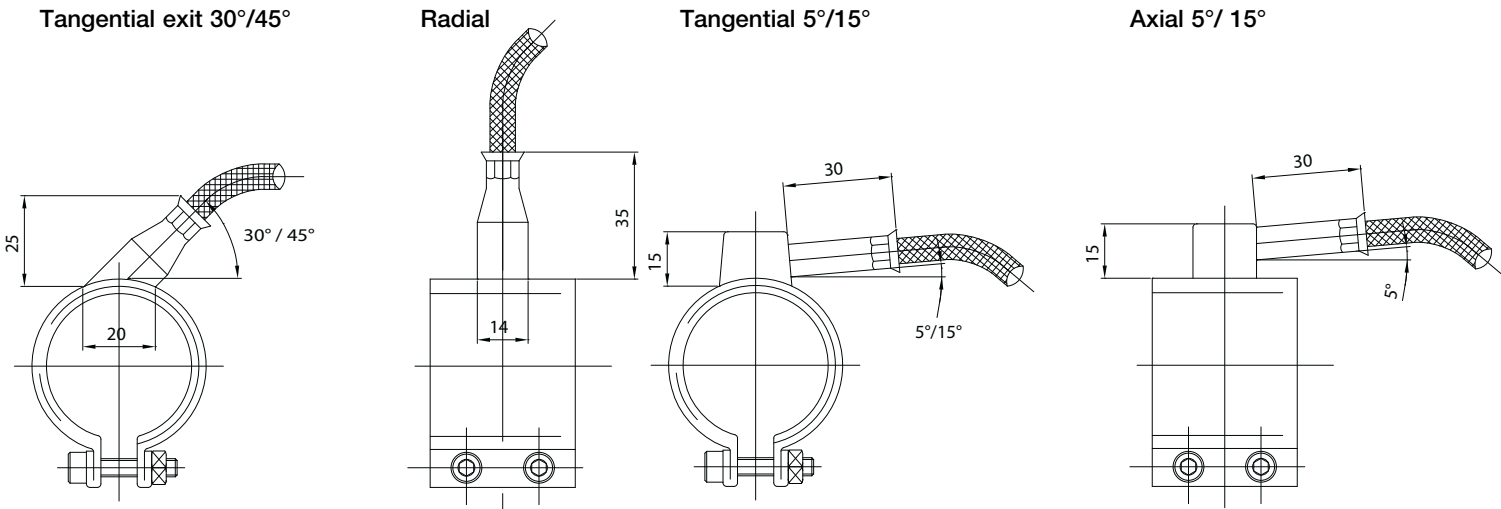
Code	Diameter [mm]	Width [mm]	Wattage [Watt]
Z17025030	25	30	130
Z17030025	30	25	130
Z17030030	30	30	170
Z17030035	30	35	200
Z17030040	30	40	230
Z17035025	35	25	160
Z17035030	35	30	200
Z17035035	35	35	240
Z17035040	35	40	270
Z17035045	35	45	310
Z17040025	40	25	190
Z17040030	40	30	230
Z17040035	40	35	270
Z17040040	40	40	310
Z17040045	40	45	350
Z17042025	42	25	200
Z17042030	42	30	240
Z17042035	42	35	290
Z17042040	42	40	330
Z17045025	45	25	210
Z17045030	45	30	260
Z17045035	45	35	310
Z17045040	45	40	350
Z17045045	45	45	400
Z17045050	45	50	450
Z17045055	45	55	490
Z17050020	50	20	190
Z17050025	50	25	240
Z17050030	50	30	290
Z17050035	50	35	340
Z17050040	50	40	390
Z17050050	50	50	500
Z17050060	50	60	600
Z17055020	55	20	210
Z17055025	55	25	270
Z17055030	55	30	320
Z17055035	55	35	380
Z17055040	55	40	430
Z17055050	55	50	540
Z17060020	60	20	230
Z17060025	60	25	290
Z17060030	60	30	350
Z17060035	60	35	410
Z17060040	60	40	470
Z17060050	60	50	600
Z17060060	60	60	720
Z17065020	65	20	250
Z17065025	65	25	320
Z17065030	65	30	380
Z17065035	65	35	450
Z17065040	65	40	520
Z17065050	65	50	650
Z17065060	65	60	780

Code	Diameter [mm]	Width [mm]	Wattage [Watt]
Z17070020	70	20	270
Z17070025	70	25	340
Z17070030	70	30	410
Z17070035	70	35	490
Z17070040	70	40	560
Z17070050	70	50	700
Z17070060	70	60	840
Z17075020	75	20	290
Z17075025	75	25	370
Z17075030	75	30	440
Z17075035	75	35	520
Z17075040	75	40	560
Z17075050	75	50	750
Z17075060	75	60	900
Z17080020	80	20	310
Z17080025	80	25	390
Z17080030	80	30	470
Z17080035	80	35	560
Z17080040	80	40	640
Z17080050	80	50	800
Z17080060	80	60	960
Z17085020	85	20	330
Z17085025	85	25	420
Z17085030	85	30	500
Z17085035	85	35	590
Z17085040	85	40	680
Z17085050	85	50	850
Z17085060	85	60	1020
Z17090020	90	20	350
Z17090025	90	25	440
Z17090030	90	30	540
Z17090035	90	35	630
Z17090040	90	40	720
Z17090050	90	50	900
Z17090060	90	60	1080
Z17095020	95	20	370
Z17095025	95	25	470
Z17095030	95	30	570
Z17095035	95	35	660
Z17095040	95	40	760
Z17095050	95	50	950
Z17095060	95	60	1150
Z17100020	100	20	380
Z17100025	100	25	500
Z17100030	100	30	600
Z17100035	100	35	700
Z17100040	100	40	800
Z17100050	100	50	1000
Z17100060	100	60	1200

All items available in stock without feeding cable.

Please specify cable length and type of output in the order

# Alternative exits for nozzle band heater Z.11 Z.17 and Z.19



## Special exit model

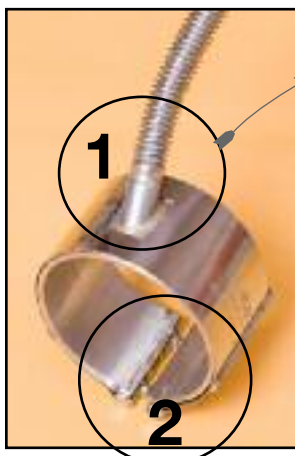


Low exit 7mm



Special execution

Standard threaded connector



Band heater with IP55 with stainless steel tube welded (1) and brazing on the edges for width up to 60mm (2)



M8 x 1,25 (8MA)	M10 x 1,5 (10MA)	M12 x 1,75 (10MA)	M12 x 1,25 (128MB)	M14 x 2 (14MA)	M14 x 1,5 (14MB)
--------------------	---------------------	----------------------	-----------------------	-------------------	---------------------

1/8" GAS	1/4" GAS	3/8" GAS
----------	----------	----------